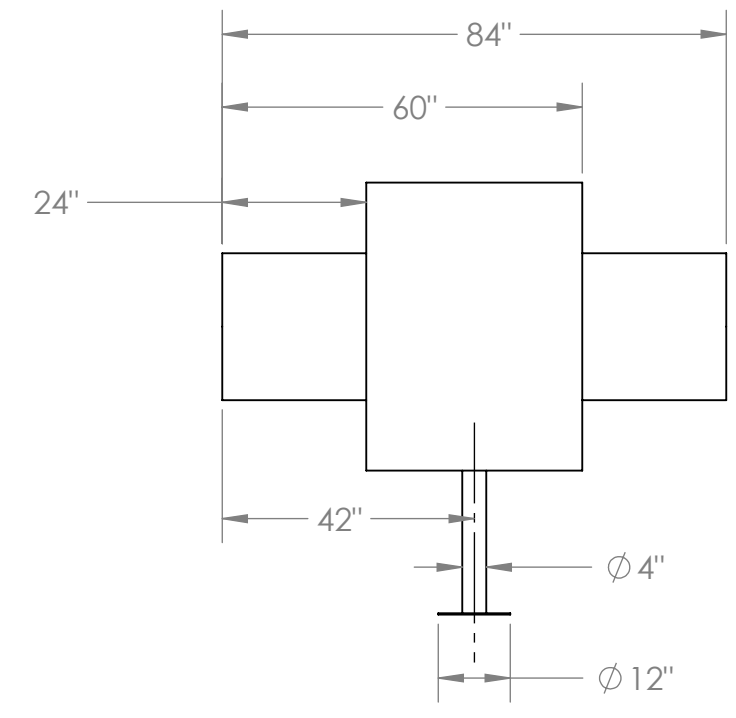
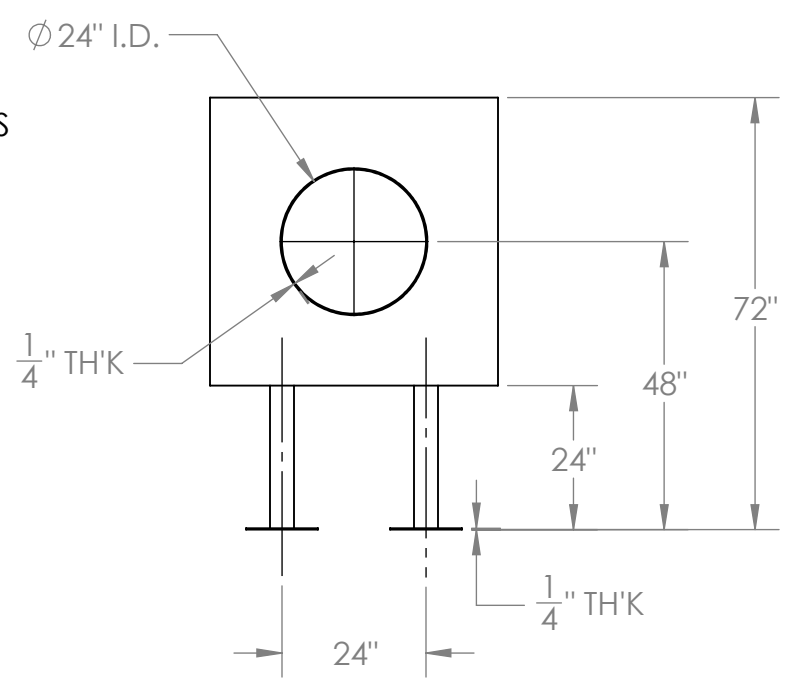
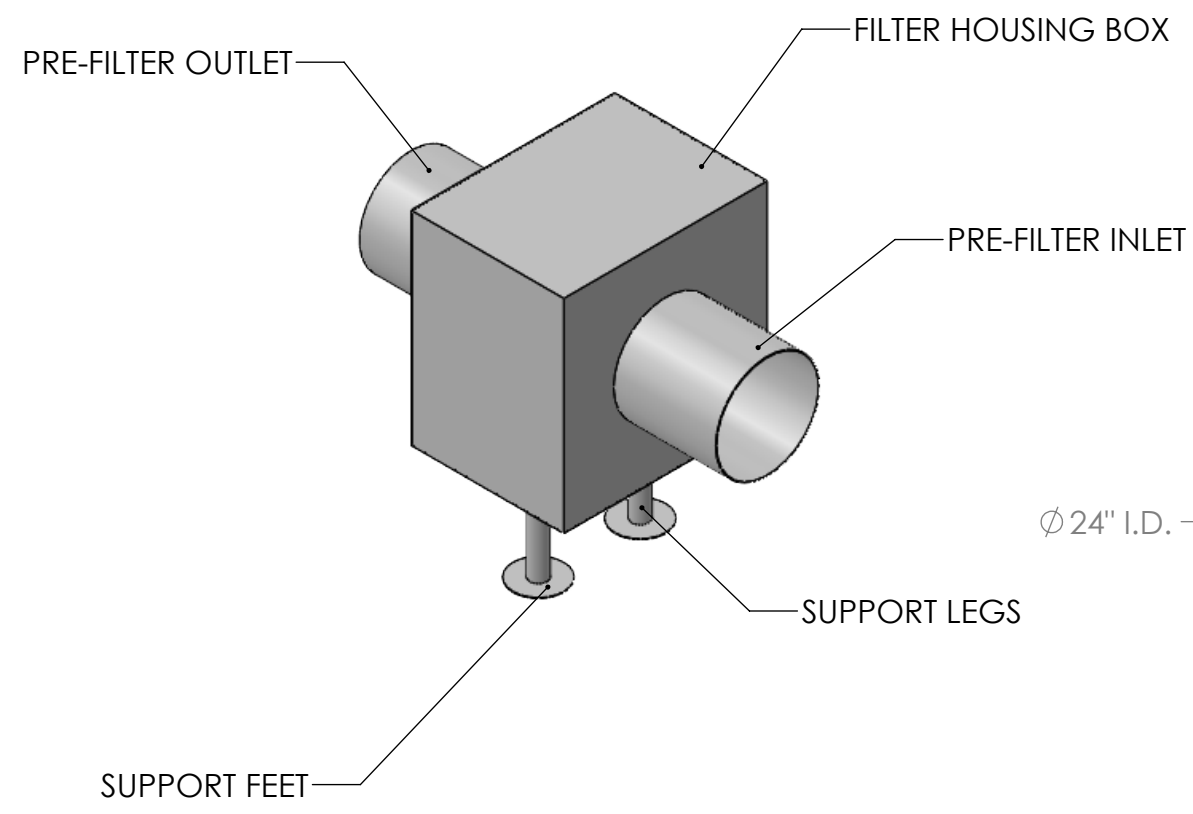


4

3

2

1



**PROPRIETARY AND CONFIDENTIAL**  
 THE INFORMATION CONTAINED IN THIS DRAWING IS THE SOLE PROPERTY OF <INSERT COMPANY NAME HERE>. ANY REPRODUCTION IN PART OR AS A WHOLE WITHOUT THE WRITTEN PERMISSION OF <INSERT COMPANY NAME HERE> IS PROHIBITED.

		UNLESS OTHERWISE SPECIFIED:		NAME	DATE	Author: Nash Reeves	
		DIMENSIONS ARE IN INCHES TOLERANCES: FRACTIONAL: ± ANGULAR: MACH ± BEND ± TWO PLACE DECIMAL ± THREE PLACE DECIMAL ±		DRAWN		TITLE: <b>Pre-Filter</b>	
		INTERPRET GEOMETRIC TOLERANCING PER:		CHECKED		SIZE DWG. NO. REV	
		MATERIAL Polyester Resin		ENG APPR.		<b>B PRE-FILTER</b>	
NEXT ASSY	USED ON	FINISH		MFG APPR.		SCALE: 1:32 WEIGHT: 175.53 SHEET 1 OF 1	
APPLICATION		DO NOT SCALE DRAWING		Q.A.			
				COMMENTS:			

4

3

2

1

B

B

A

A