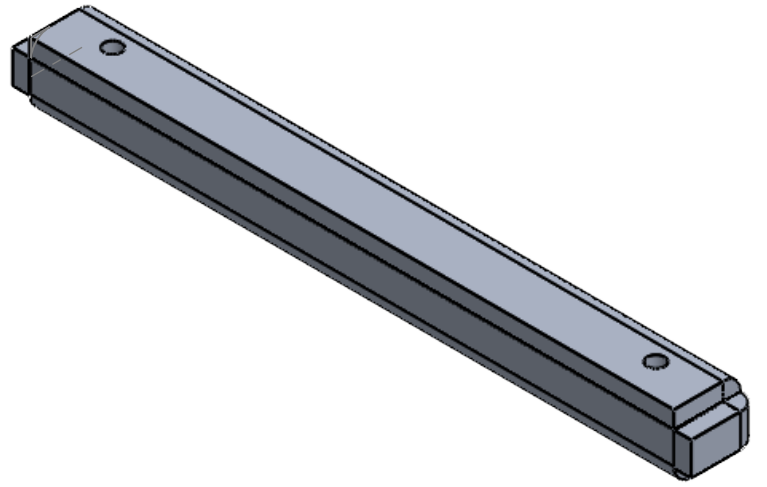


4

3

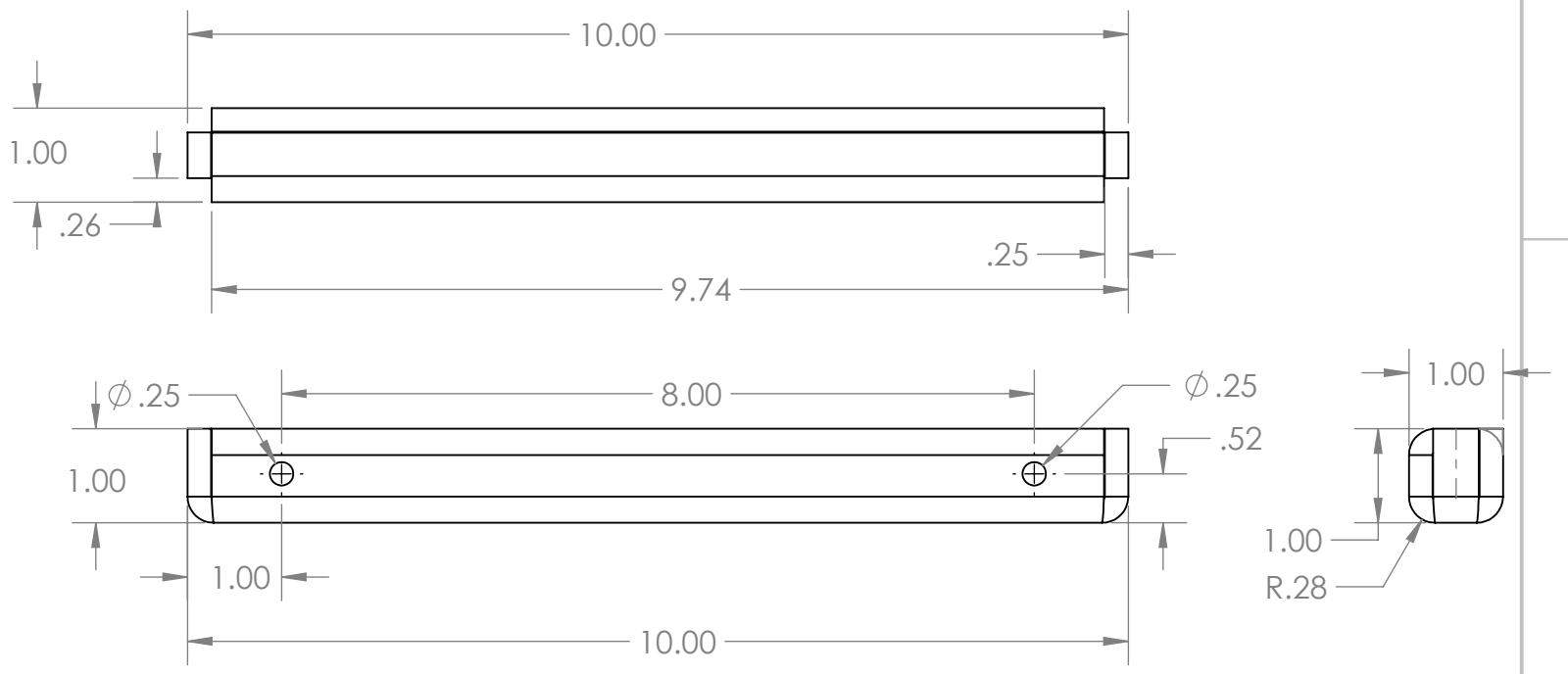
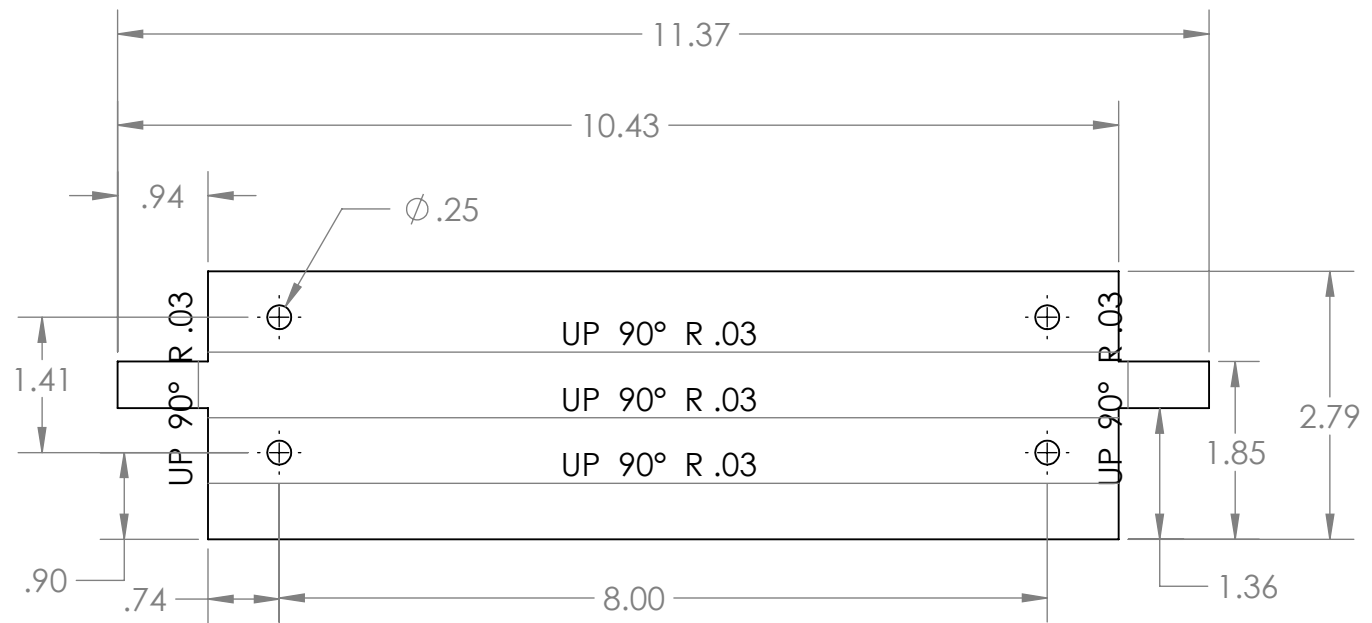
2

1



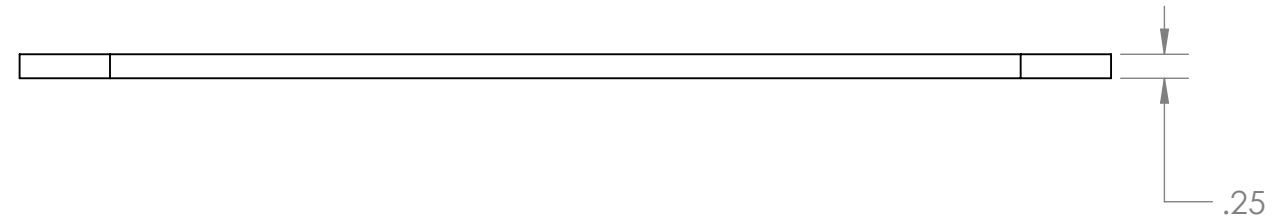
B

B



A

A



PROPRIETARY AND CONFIDENTIAL
 THE INFORMATION CONTAINED IN THIS DRAWING IS THE SOLE PROPERTY OF <INSERT COMPANY NAME HERE>. ANY REPRODUCTION IN PART OR AS A WHOLE WITHOUT THE WRITTEN PERMISSION OF <INSERT COMPANY NAME HERE> IS PROHIBITED.

		UNLESS OTHERWISE SPECIFIED:		NAME	DATE
		DIMENSIONS ARE IN INCHES		DRAWN	
		TOLERANCES:		CHECKED	
		FRACTIONAL ±		ENG APPR.	
		ANGULAR: MACH ± BEND ±		MFG APPR.	
		TWO PLACE DECIMAL ±		Q.A.	
		THREE PLACE DECIMAL ±		COMMENTS:	
		INTERPRET GEOMETRIC TOLERANCING PER:		TITLE: <h1>Lunchbox Handle</h1>	
		MATERIAL			
		1060 Alloy		SIZE	DWG. NO.
		FINISH		REV	
NEXT ASSY	USED ON			<h2>Sheet Metal Handle</h2>	
APPLICATION		DO NOT SCALE DRAWING		SCALE: 1:2	WEIGHT: 0.66
				SHEET 1 OF 1	

4

3

2

1