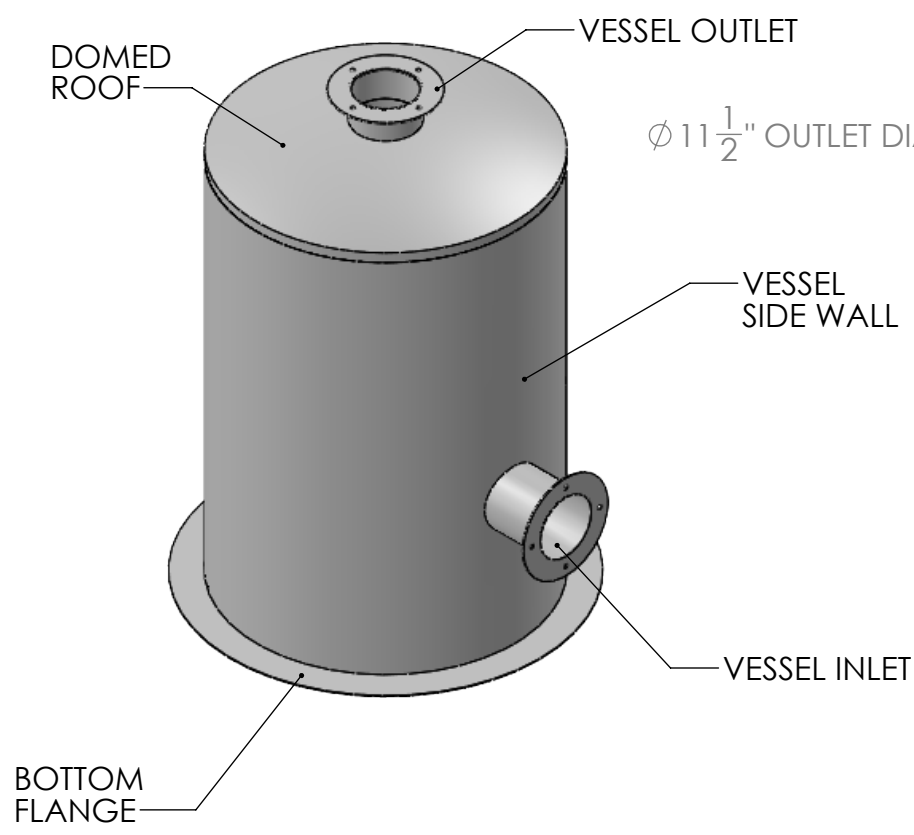


4

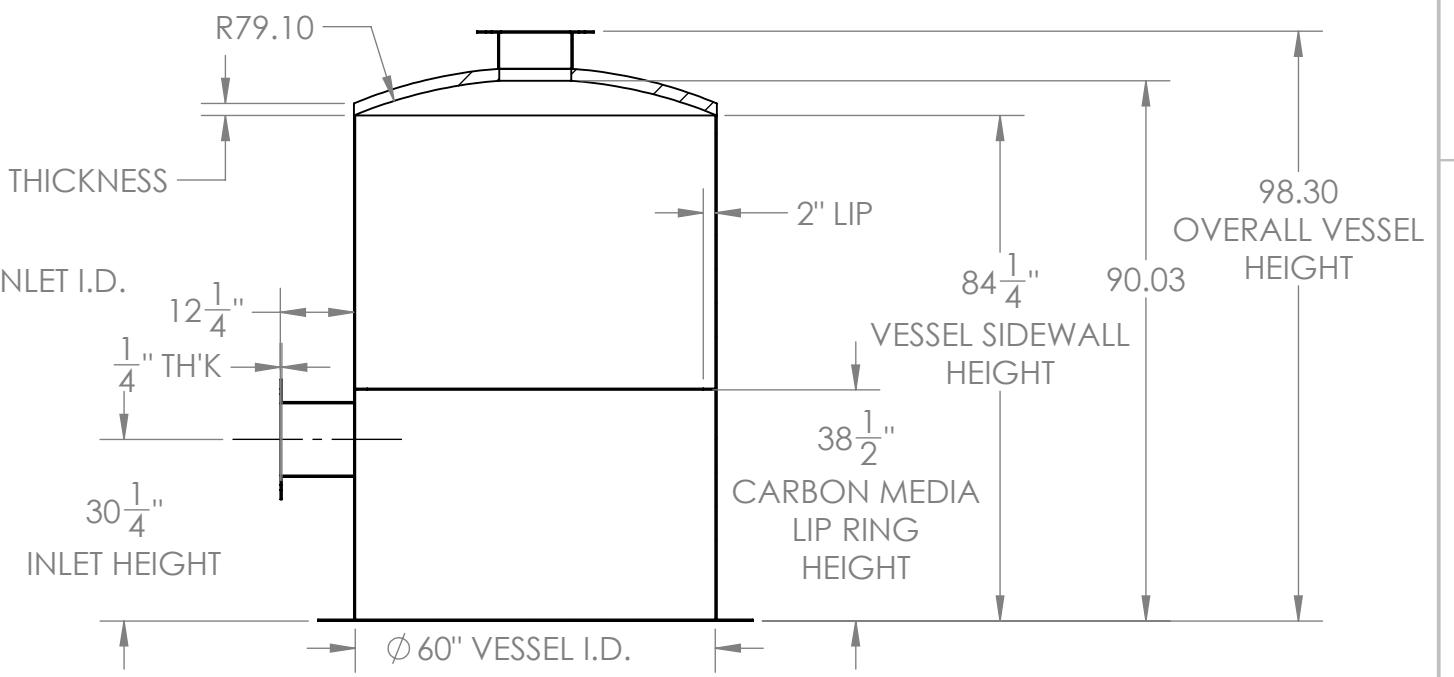
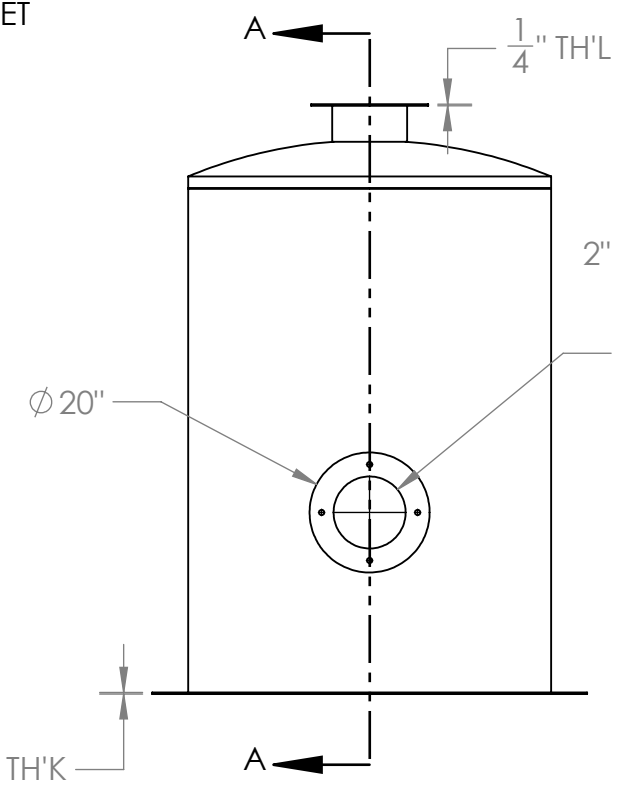
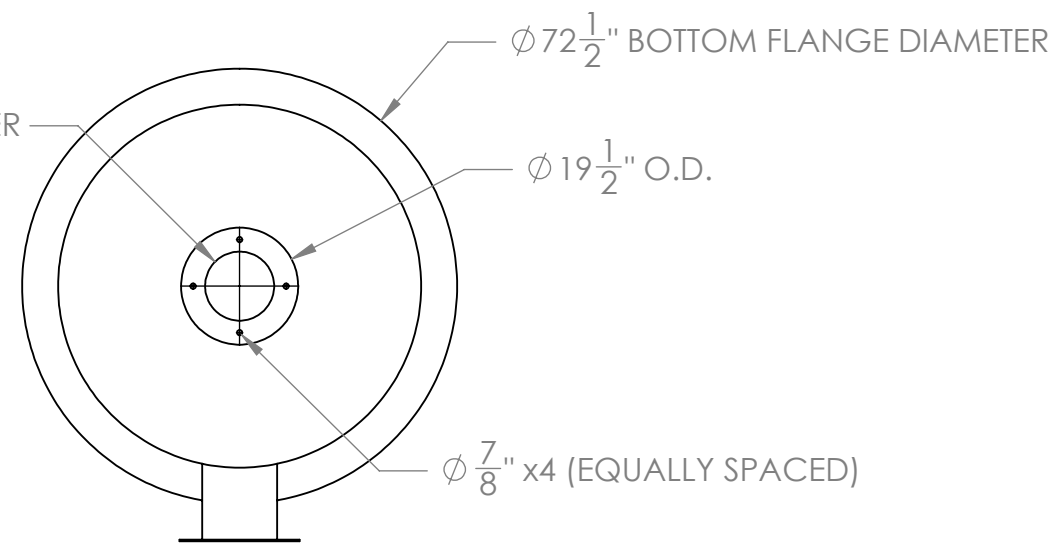
3

2

1



$\phi 11\frac{1}{2}$ " OUTLET DIAMETER



SECTION A-A

PROPRIETARY AND CONFIDENTIAL
 THE INFORMATION CONTAINED IN THIS DRAWING IS THE SOLE PROPERTY OF <INSERT COMPANY NAME HERE>. ANY REPRODUCTION IN PART OR AS A WHOLE WITHOUT THE WRITTEN PERMISSION OF <INSERT COMPANY NAME HERE> IS PROHIBITED.

		UNLESS OTHERWISE SPECIFIED:		NAME	DATE
		DIMENSIONS ARE IN INCHES		DRAWN	
		TOLERANCES:		CHECKED	
		FRACTIONAL: \pm		ENG APPR.	
		ANGULAR: MACH \pm BEND \pm		MFG APPR.	
		TWO PLACE DECIMAL \pm		Q.A.	
		THREE PLACE DECIMAL \pm		COMMENTS:	
		INTERPRET GEOMETRIC TOLERANCING PER:			
		MATERIAL			
		Polyester Resin			
		FINISH			
NEXT ASSY	USED ON				
APPLICATION		DO NOT SCALE DRAWING			
Author: Nash Reeves TITLE: <h1 style="text-align: center;">Air Purification Scrubber</h1>					
SIZE	DWG. NO.	REV			
B	Vessel 01				
SCALE: 1:32 WEIGHT: 458.26 SHEET 1 OF 1					

4

3

2

1

B

B

A

A